

animeo

IB+ 4 DC Motor Controller WM

Ref. 1870451



OVERVIEW

Motor controller for screens, exterior Venetian blinds, louvers and window openers to individually control four 24 V DC motors.

INSTALLATION FEATURES

- > Easy and quick commissioning in combination with the animeo IB+ Building Controller and animeo IB+ TouchBuco 4 Zone and 8 Zone.
- > Spring connectors and tension relief with cable ties for safer and quicker installation.

FUNCTIONAL FEATURES

- > Up to four 24 V DC motors can be controlled individually via local push buttons or in groups with IB+ controlling technology.
- > Intelligent switching between manual and automatic operation to guarantee excellent user-friendliness and energy savings.
- > Local setting of an intermediate position and user ergonomics
- > Enables the setting of the start delay time for electronic motors.
- > Fixed tilt speed.

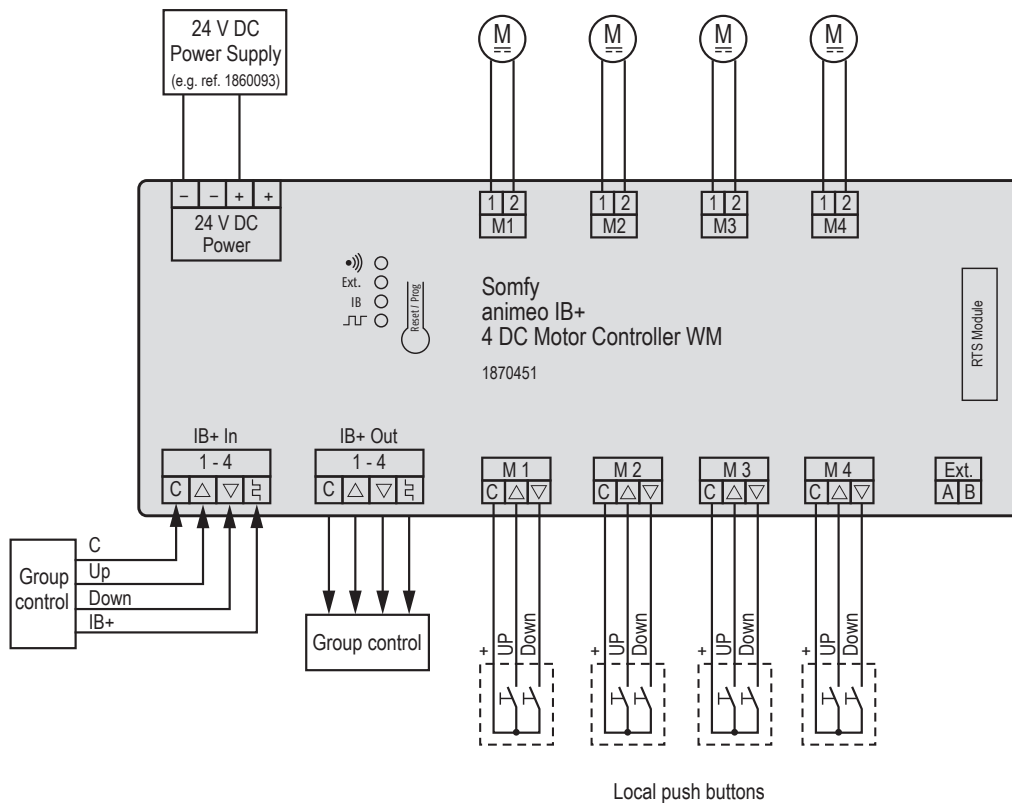
WHAT'S IN THE BOX

- > animeo IB+ 4 DC Motor Controller WM
- > Installation guide

OPTIONAL ACCESSORIES

- > animeo Power Supply DC (ref. 1860093)

WIRING DIAGRAM



CHARACTERISTICS

IB+ 4 DC Motor Controller WM	Ref. 1870451
Supply voltage	24 V DC (min. 21.5 V - max. 28 V DC)
Power Supply	Regulated and short circuit proof power supply, certified and suitable for the connected motors
Stand-by current (IEC 62301)	28 mA@24 V DC
Stand-by power (IEC 62301)	670 mW@24 V DC
Max. motor current consumption	4 x 2.5 A@24 V DC
Supply voltage of group control input	SELV, 16 V DC ===
Supply voltage of local push buttons	SELV, 16 V DC ===
Terminals	Spring connectors
Relay micro-gap	μ
Running time per output	Max. 5 minutes
Operating temperature	0 ° C ... + 45 ° C
Relative humidity	Max. 85 %
Material of housing	PC-ABS
Housing dimensions (w x h x d)	180 x 255 x 61 mm
Weight	690 g
Degree of protection	IP 20
Protection class	ⓘ
Pollution degree	2
Conformity	www.somfy.com/ce

20190430

